



Scan for more info!

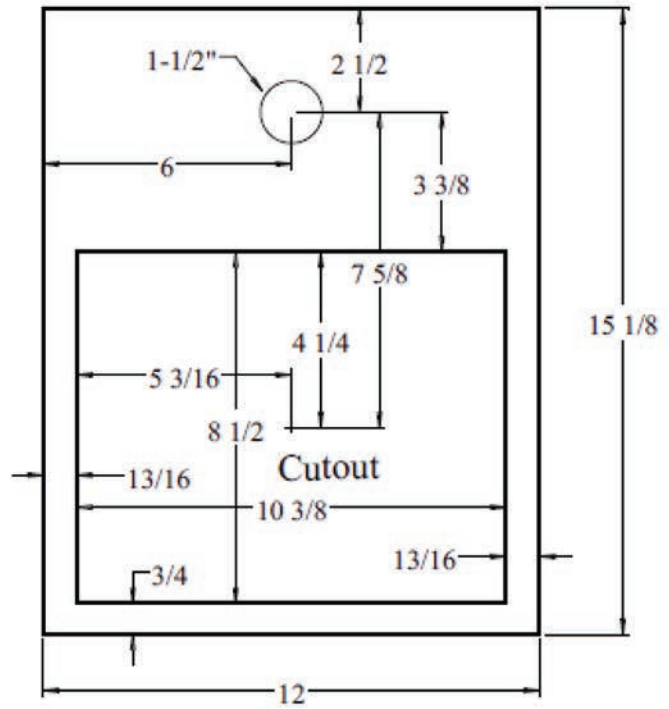
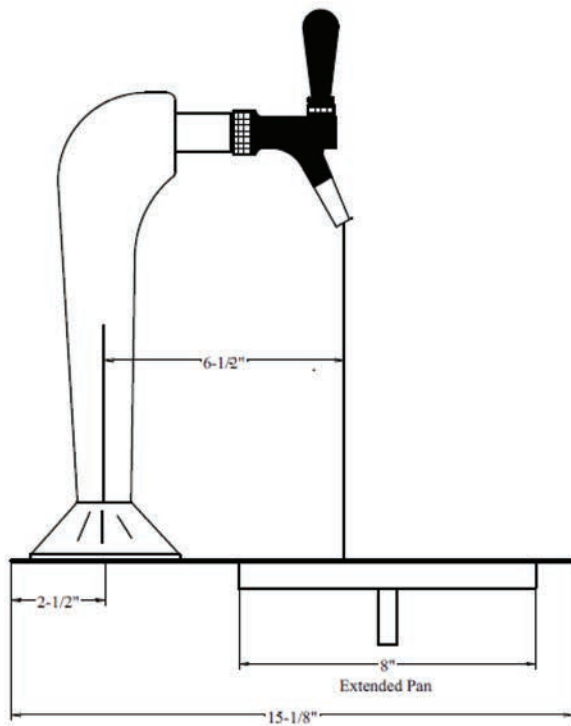
Owners Manual
Quick Install
Quick Sizing
Install Layout
Parts List

RDP-1SSQ
Recessed Drain Pan

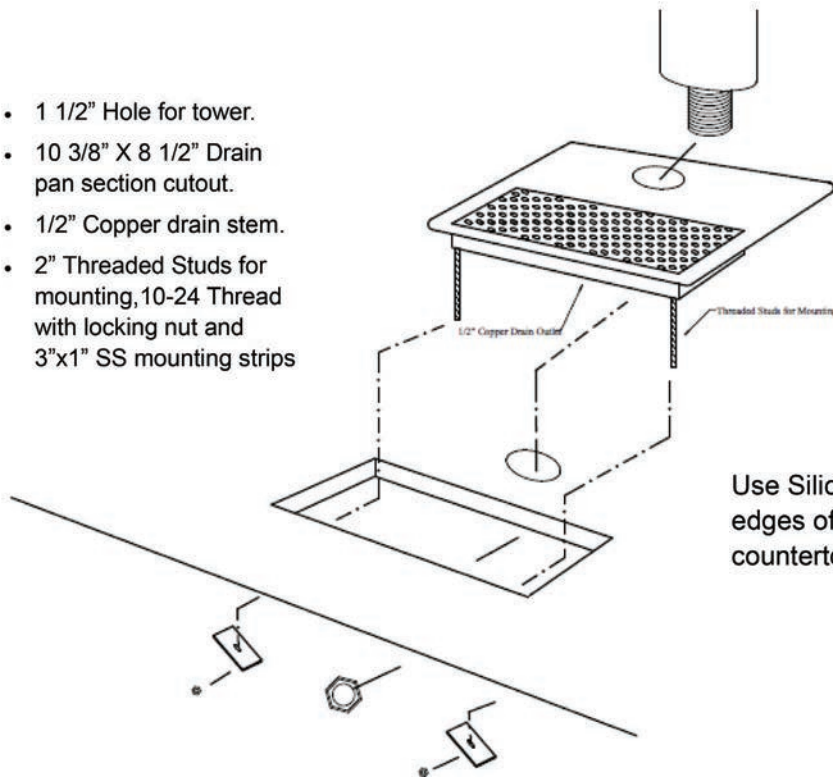


Specifications

- Flush mount, recessed drain pan design
- Stainless steel construction
- 12"W x 0.75"D x 15.125"L
- Use with CBR-V1, CBR-V2 and LIT-V2C towers



- 1 1/2" Hole for tower.
- 10 3/8" X 8 1/2" Drain pan section cutout.
- 1/2" Copper drain stem.
- 2" Threaded Studs for mounting, 10-24 Thread with locking nut and 3"x1" SS mounting strips



Use Silicone on bottom and edges of pan to seal to countertop.

For Use With:



☐ CBR-V1



☐ CBR-V2



☐ LIT-V2C

