



CR-UCW Undercounter Chilled Water Dispenser

Quick Installation Guide Instructions

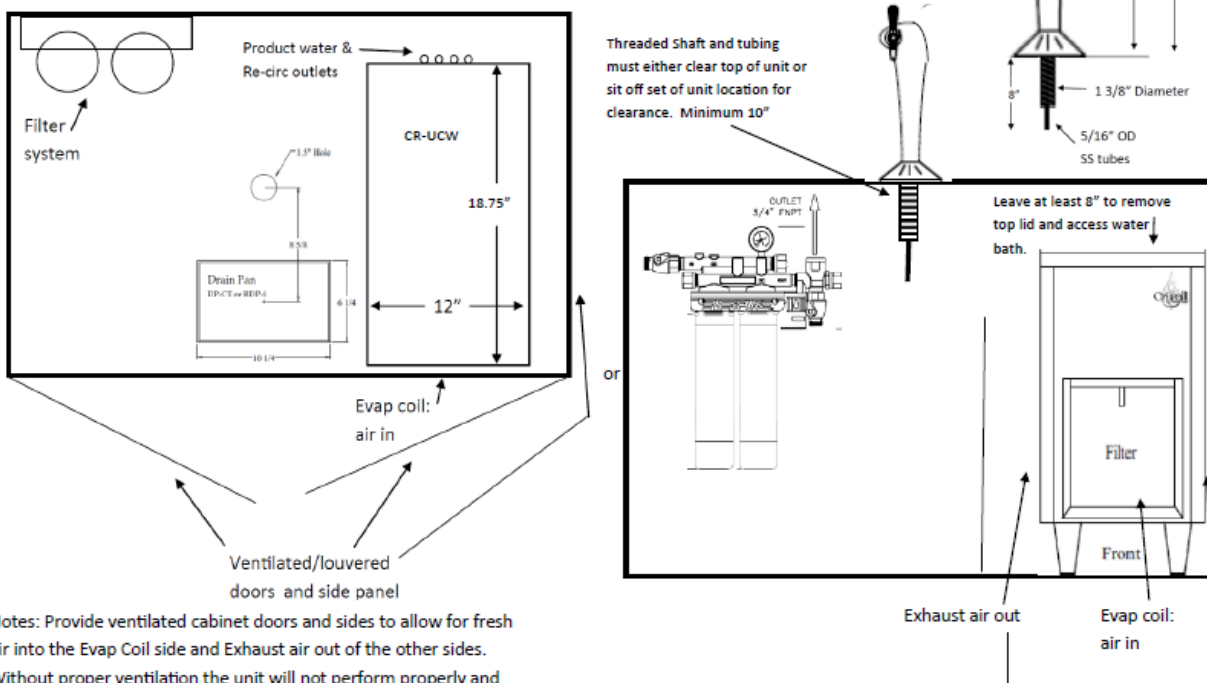
1. Select a counter location for your draft tower and an undercounter or remote location for your CR-UCW Crysalli unit. Place the CR-UCW unit as close as possible to water filter connection & 120-volt electrical outlet. Allow for good air ventilation and the evap side of the unit to face out, the unit will create lots of heat and needs to have fresh air in and exhaust air out.
2. Mount the draft tower and drain pan or CM-1 push button tower. Plumb drain line from pan to the floor sink.
 - a. CBR-V1 Requires a 1 3/8" hole.
 - b. RDP-1-SSQ Recessed Drain Pan requires counter to be cut. 1/2" drain.
 - c. The CM-1 Push button dispenser requires 120v to run the valve.
3. **Outlet Connections:** Measure and Route the insulated trunk line (if required) from the CR-UCW unit to the location of the dispensing tower. The unit has three 3/8" John Guest bulk head connection on it. The center is the product outlet, and two outside connections are the inlet and outlet re-circ line connections, (marked "re-circ")
4. **Product Outlet:** Connect a 3/8" line from the unit to the stainless steel lines on the CBR-V1 draft tower, or to the braided hose from the CM-1. Or adapt appropriately to dispenser inlet hook up.
5. **Re-Circulation lines:** Run the two re-circ line feeds from the unit up to the tower along with the product line, connect these two lines together at that point to create a continual loop with them from the unit and back. Flow these up as far as possible to the dispenser point of hook up. Cold water from the water bath will re-circulate through these lines to help keep the product line cold. If these lines are not going to be used they must still be capped or looped to each other at the bulk head fittings.
6. **Inlet Connection:** Connect the 1/4" braided water inlet line from the bottom of the CR-UCW unit to your water filter system. When using the Everpure Filter system, you'll need to reduce down from the 3/4" fpt inlet and outlet to accommodate your line size.

7. **Drain:** Rout Clear overflow drain line from the bottom of the unit to a floor sink or other waste drain. This is for overflow from the water bath.
8. Turn on the Water. Check all connections for leaks.
9. **Fill Water Bath:** Remove lid and fill water bath with non-filtered tap water, fill up to $\frac{1}{4}$ " from top of the White standpipe (this is the over flow pipe to the clear drain hose).
10. Plug unit power cord into 120-volt outlet. Toggle the ON/OFF rocker switch to the ON position. Fan and compressor will turn on. Fan and Compressor will automatically turn off when a complete ice bank is made and cycle on and off to maintain it.
11. Check for leaks and wrap any exposed trunk line tubing with insulated foam tape.
12. Unit will take between 3 & 4 hours to make a complete ice bank.
13. Once unit has built the ice bank you are ready to dispense chilled still water.

Top down and Front view.
Sample Install Layout in a
48"W x 28"D x 32"H Cabinet

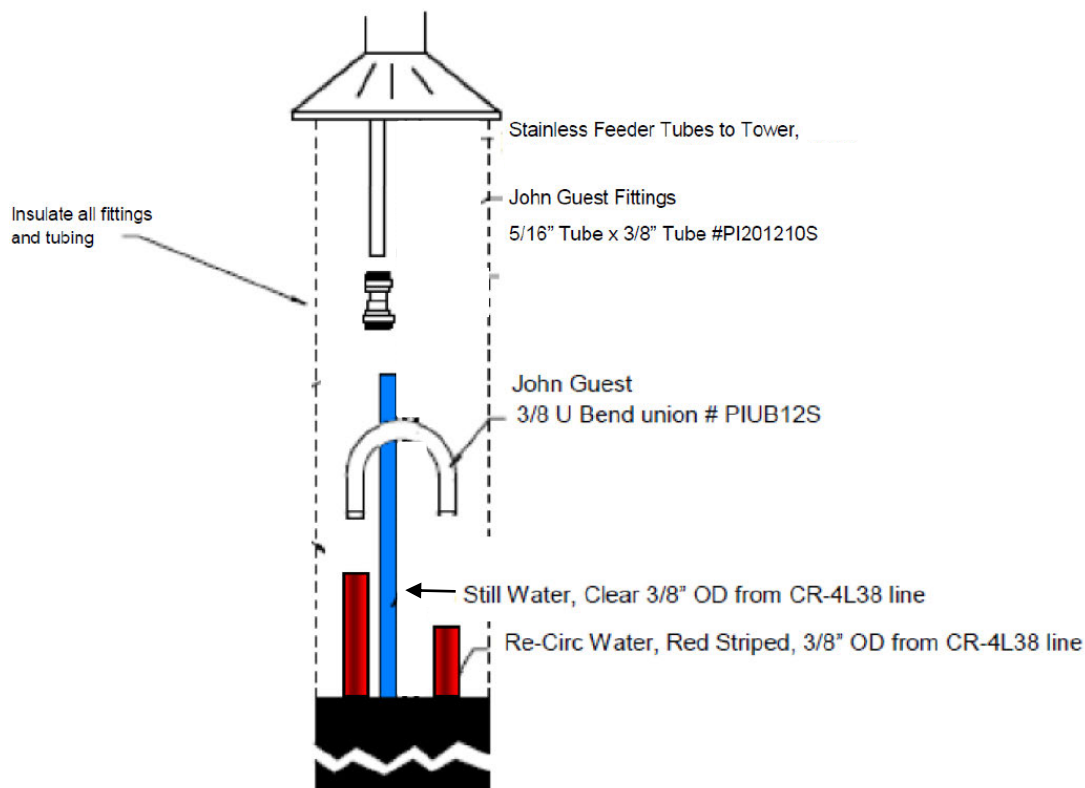
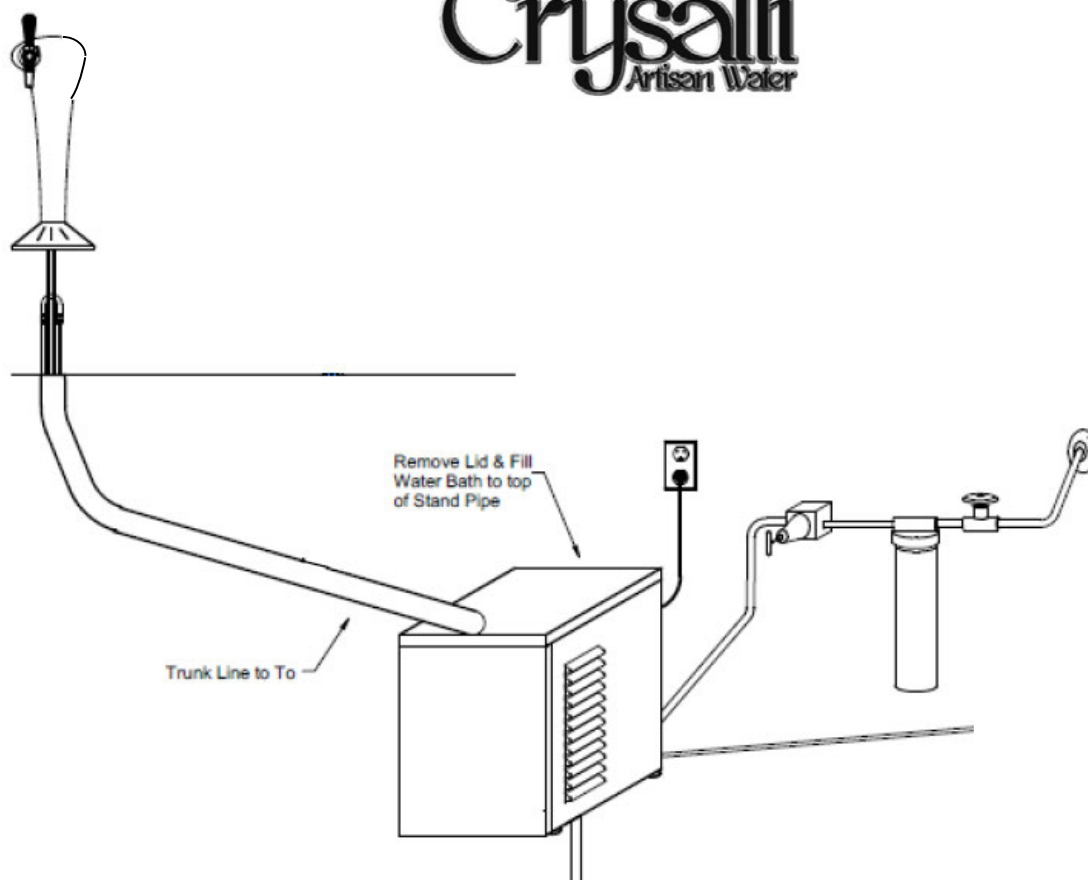
Crysalli
Artisan Water

CR-UCW & CBR-V1 Sample Layout (not to scale)
CR-UCW: 12" W x 18.75" D x 24.5" H (with legs)

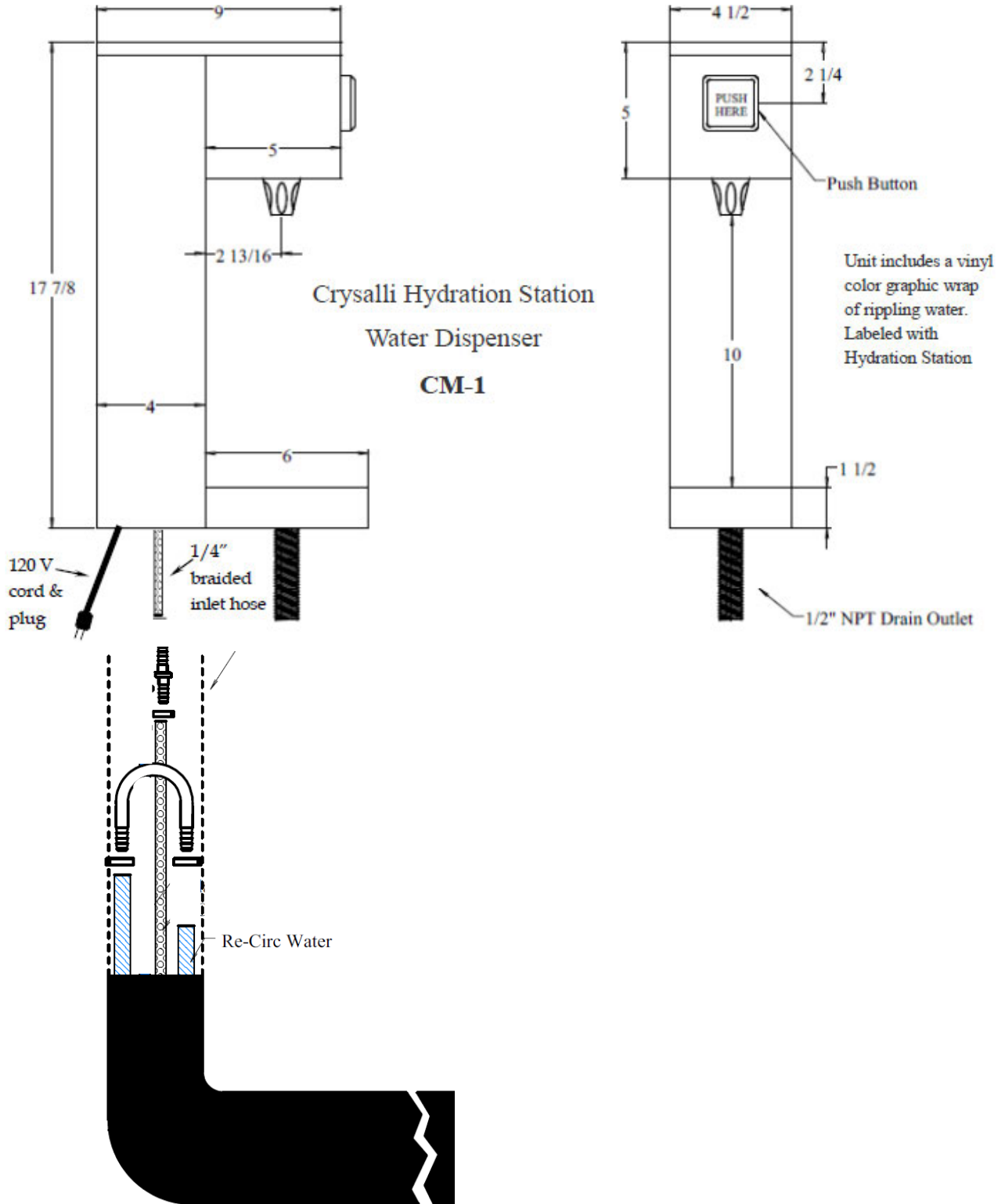


Owner's manual and Warranty Bond can be found online.

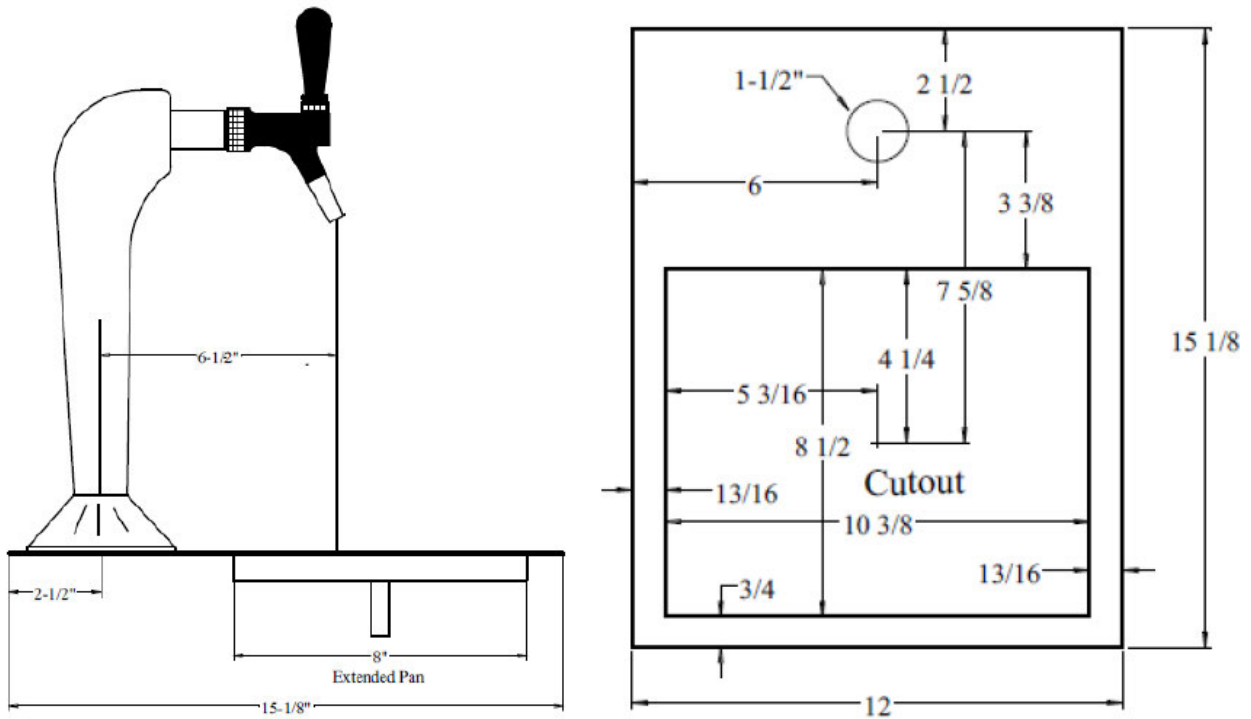
Register unit on line at www.crysalli.com



CM-1 Push Button Dispenser Tower Detail



Install Instructions for the RDP-1-SSQ Recessed Drain Pan with CBR-V1



- 1 1/2" Hole for tower.
- 10 3/8" X 8 1/2" Drain pan section cutout.
- 1/2" Copper drain stem.

