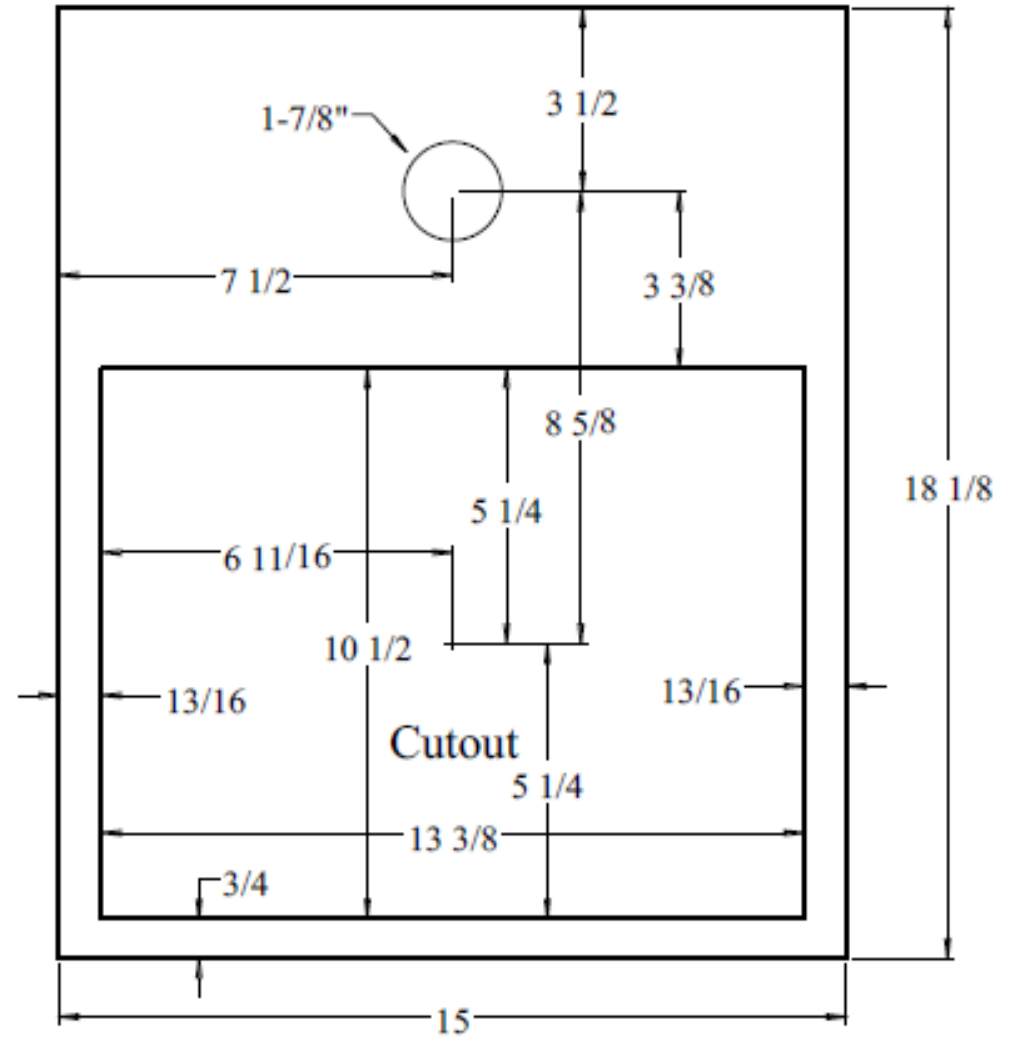
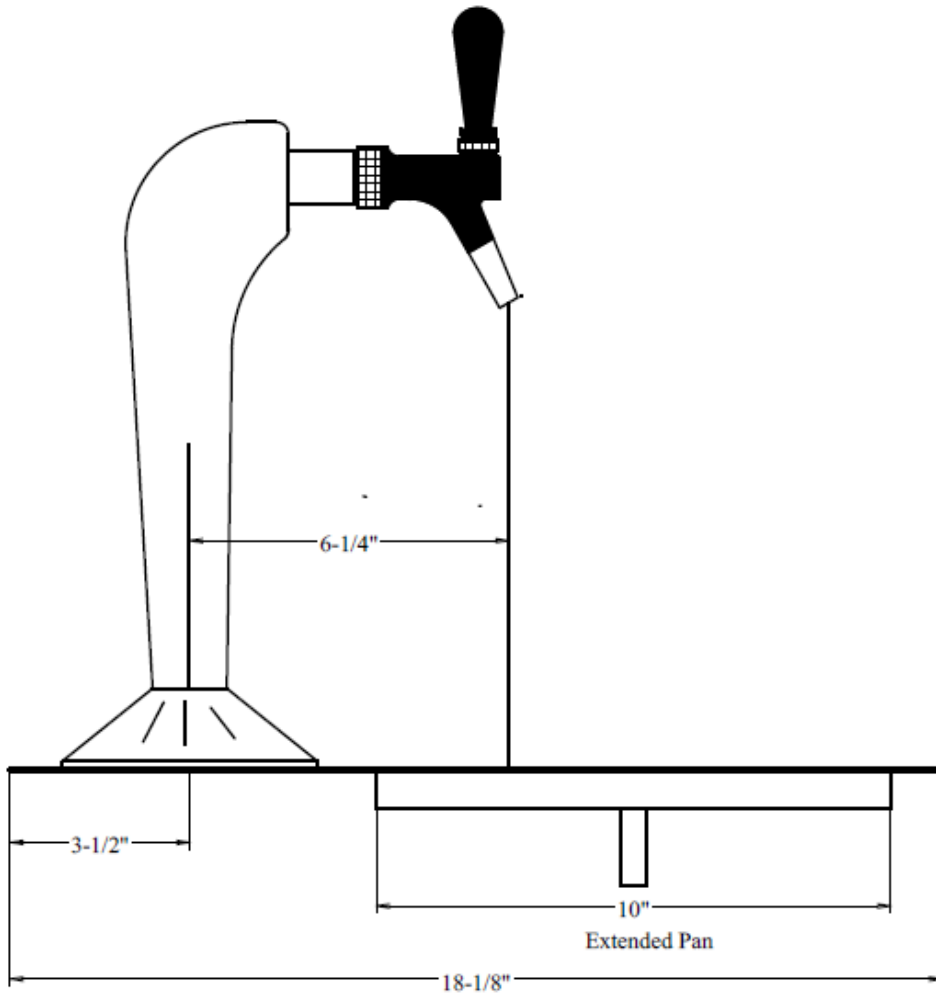




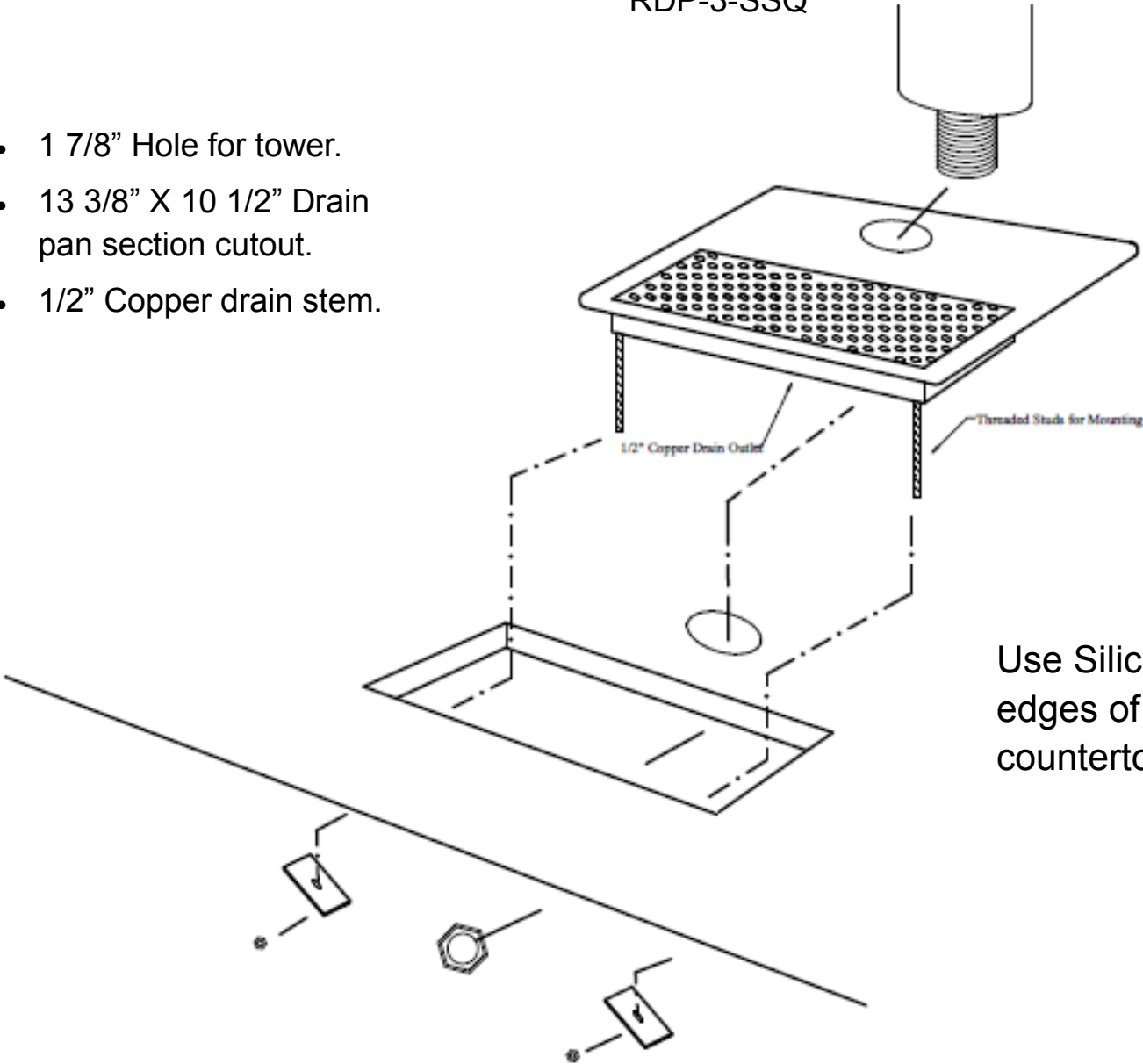
RDP-3-SSQ

Recessed Drain Pan Cut Out Detail for
CBR-V3 Tower with CR-SSQ1231 Faucets.



RDP-3-SSQ

- 1 7/8" Hole for tower.
- 13 3/8" X 10 1/2" Drain pan section cutout.
- 1/2" Copper drain stem.



Use Silicone on bottom and edges of pan to seal to countertop.



Company: WPD	Part:
Job: Recessed Drainer Installation	Part #:
Metal Size/Type: 20 Ga SS #4 Finish	Date: 8/20/10