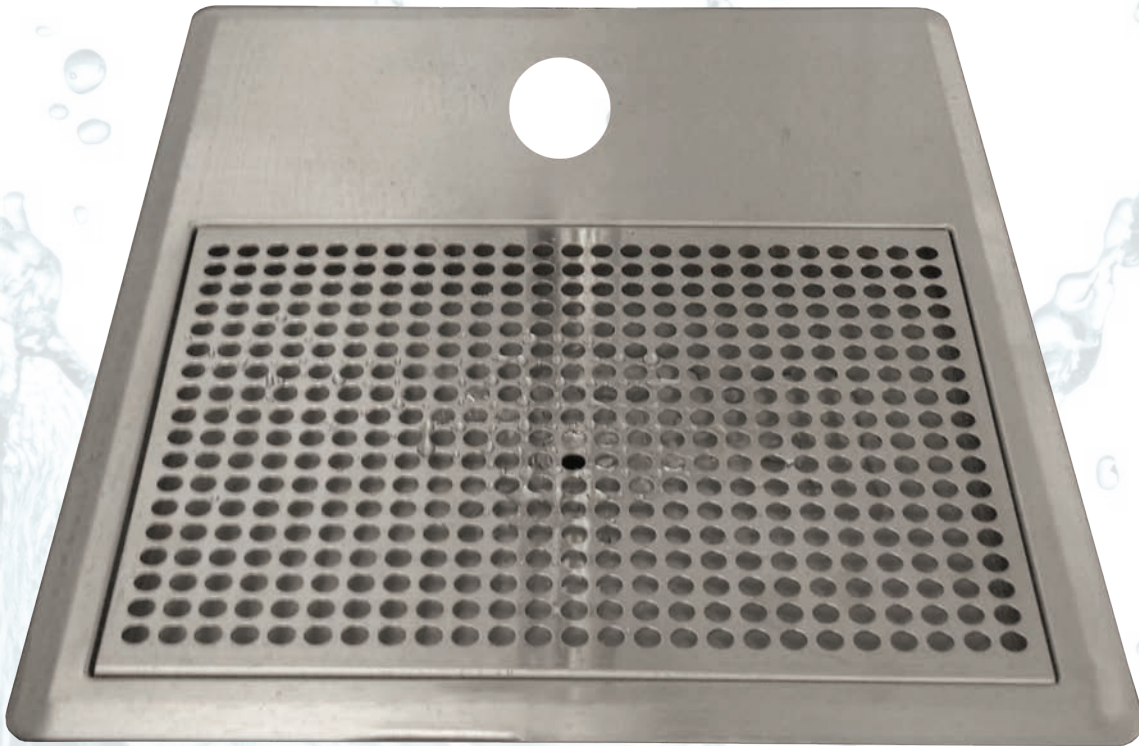




Scan for more info!

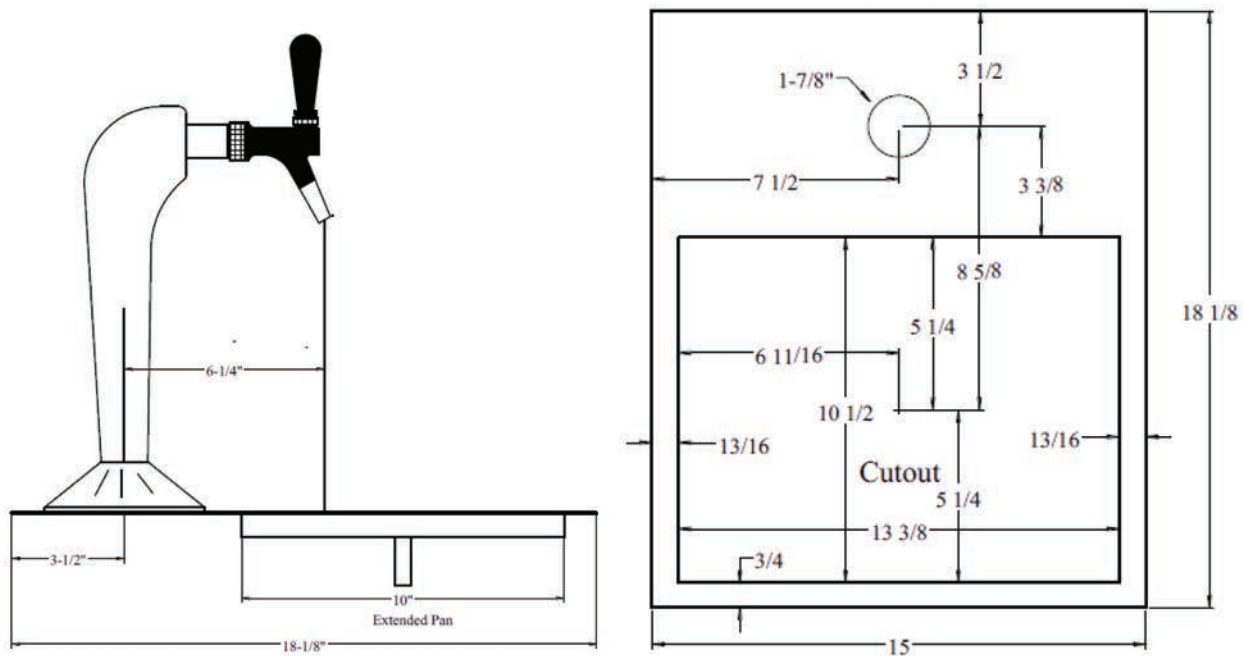
Owners Manual
Quick Install
Quick Sizing
Install Layout
Parts List

RDP-3-SSQ
Recessed Drain Pan

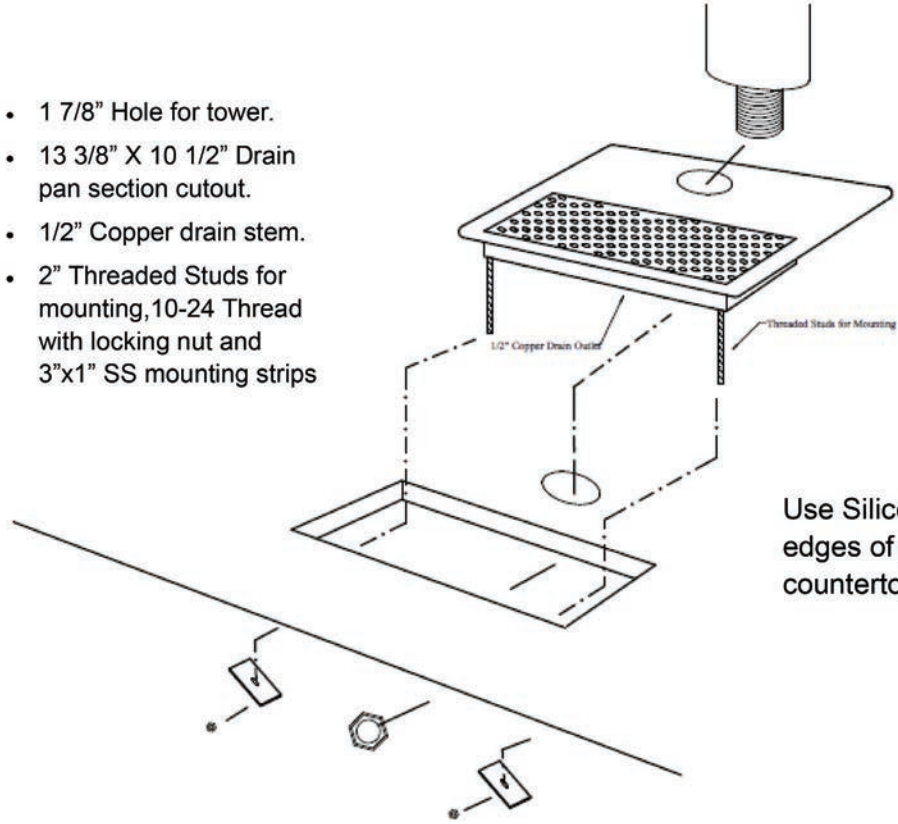


Specifications

- Flush mount, recessed drain pan design
- Stainless steel construction
- 15"W x 0.75"D x 18.125"L
- Use with CBR-V3, LIT-V3C and CRVS-V2C towers



- 1 7/8" Hole for tower.
- 13 3/8" X 10 1/2" Drain pan section cutout.
- 1/2" Copper drain stem.
- 2" Threaded Studs for mounting, 10-24 Thread with locking nut and 3"x1" SS mounting strips



Use Silicone on bottom and edges of pan to seal to countertop.

For Use With:

