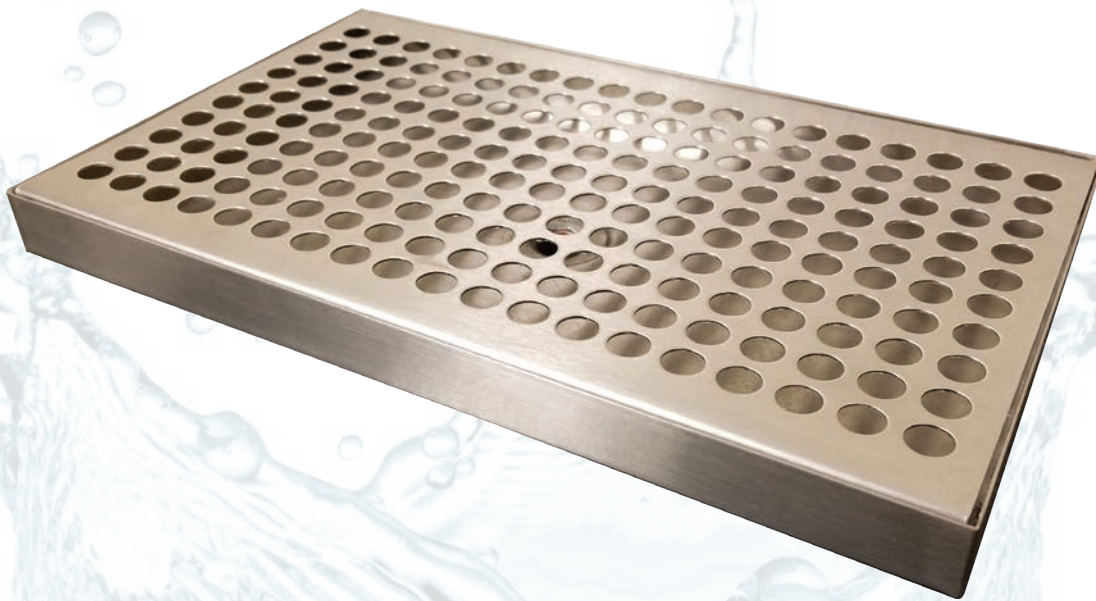




Scan for more info!

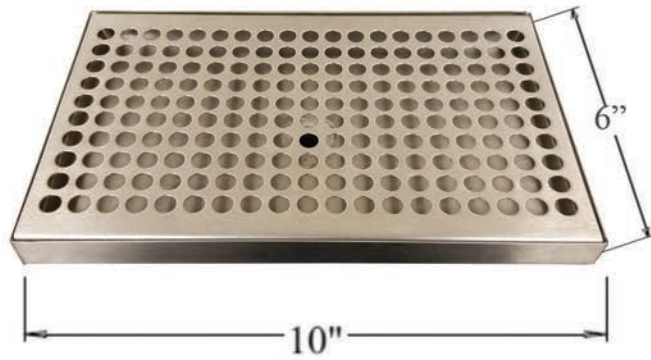
- Owners Manual
- Quick Install
- Quick Sizing
- Install Layout
- Parts List

DP-CT
Drain Pan CounterTop Mount



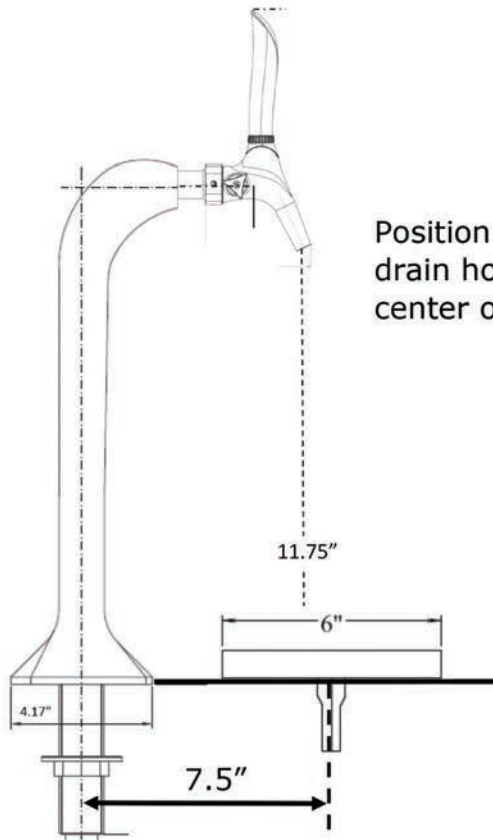
Specifications

- Countertop mount drain pan, 1/2" drain pipe
- Stainless steel construction
- 10"W x 0.75"D x 6"L
- Use with CBR-V1, CBR-V2 and LIT-V2C towers
- Removable drain grate for cleaning



1/2" Copper Drain Tube.

Requires a 1.25" hole in countertop
Use silicone to seal drain to counter.

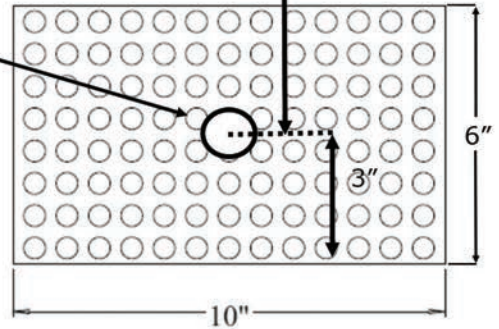


Position center of
drain hole 7.5" from
center of Tower hole

1.5" Hole for
CBR Tower

1.25" Hole
for DP-CT

7.5"



For Use With:



□ CBR-V1



□ CBR-V2



□ LIT-V2C

