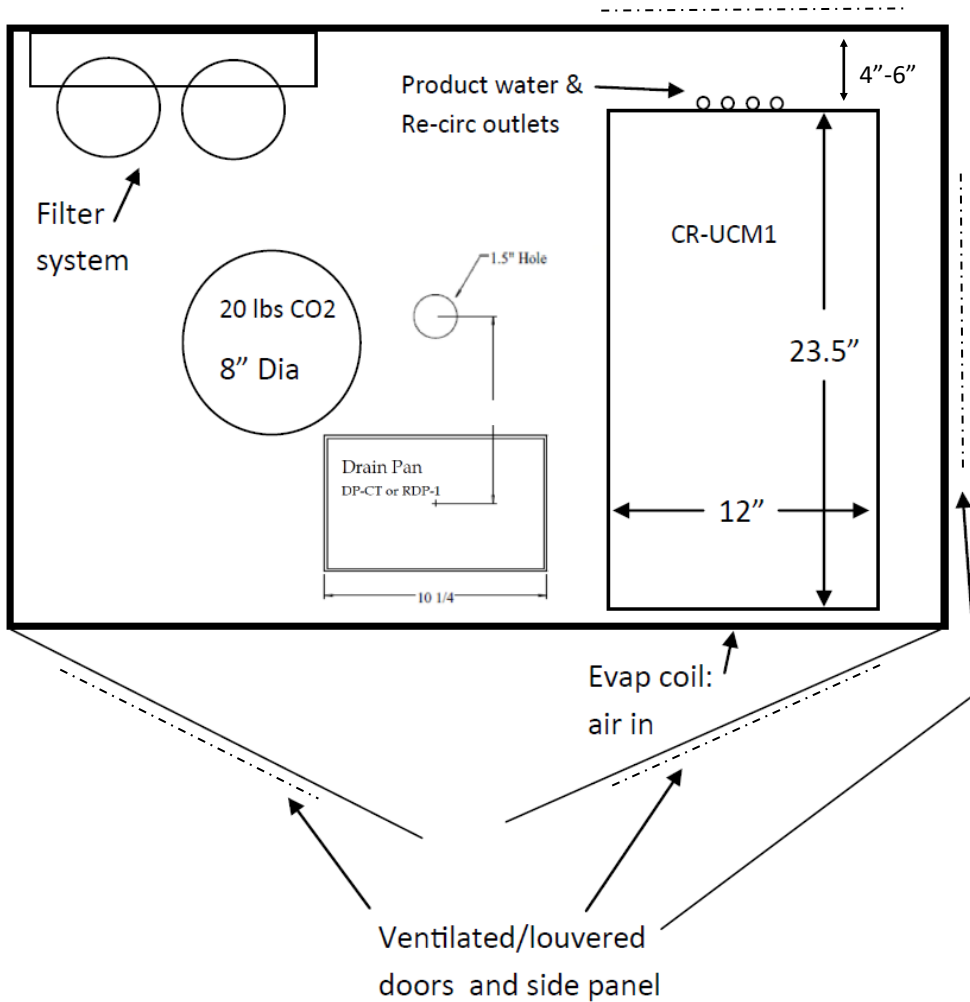
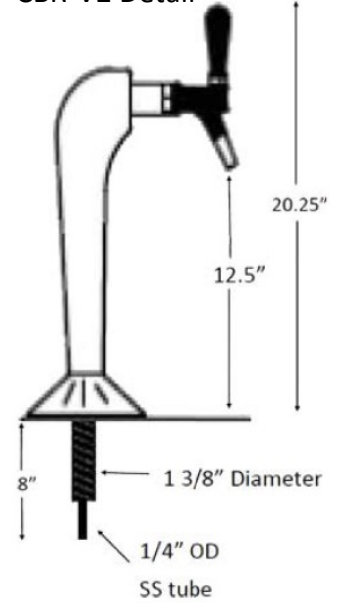




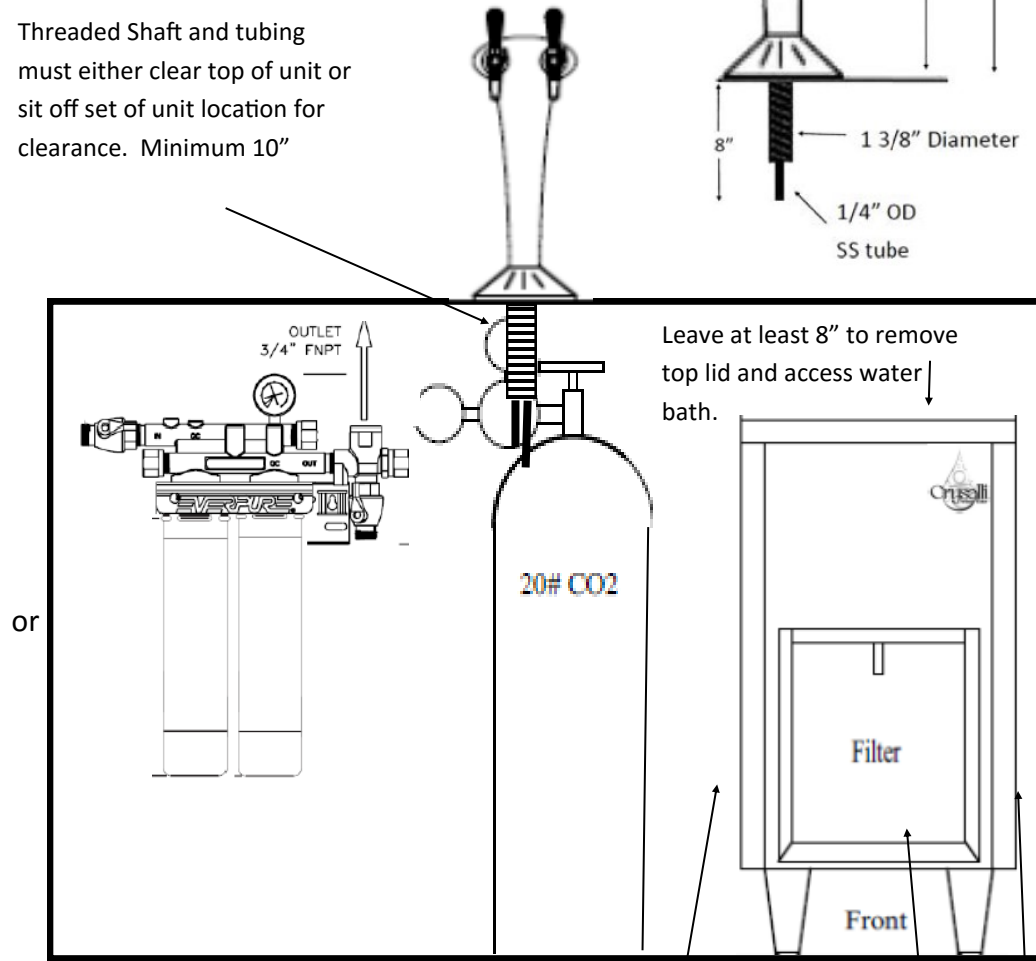
Top down and Front view.
 Sample Install Layout in a
 48"W x 28"D x 32"H Cabinet

CR-UCM1 & CBR-V2 Sample Layout (not to scale)
 CR-UCM1: 12" W x 23.5 D x 24.5" H (with legs)
 2200 BTU Per Hour Ave.

CBR-V2 Detail



Threaded Shaft and tubing
 must either clear top of unit or
 sit off set of unit location for
 clearance. Minimum 10"



CO2 Tank Note: the typical 20 lbs CO2
 tank is 8" in Diameter and 27.5" High.
 The CO2 Regulator will typically add 1"
 to the height and stick out 4"

Notes: Provide ventilated cabinet doors and sides to allow for fresh
 air into the Evap Coil side and Exhaust air out of the other sides or
 back. Without proper ventilation the unit will not perform properly
 and you will short life the compressor and void the warranty.