

CBR-V3-SDLX

Three-Valve Draft Tower with Sanitary Dispense Levers



Three-valve draft tower designed for dispensing sparkling water, chilled still water, and ambient still water with sanitary dispense levers (SDLX) for improved hygiene or ADA requirements in self-service or high-traffic environments. Built with 304 all stainless steel beverage tubing and includes quick-connect hookup to CR-4L38 trunkline. Designed to pair with all Crysalli remote chillers.

Features

- 304 Stainless steel SSX faucets
- 304 Stainless steel sanitary dispense levers (SDLX) for touchless, cup-to-lever activated dispense
- ADA-friendly, one-handed into cup dispensing and low activation height
- 304 All stainless steel beverage tubing
- Adjustable flow up to 2 oz/sec and lockable
- Self-closing when handles are released
- Downward-pointing nozzles
- Bottle filling clearance: 12.5"
- Ergonomic grip handles or SS knobs
- Base gasket included for watertight counter seal
- For use with all Crysalli remote chillers

Model Options

- CBR-V3C-SDLX: Chrome finish
- CBR-V3BLC-SDLX: Black chrome finish

Accessories

- Handles:
 - CR-100301-C: Optional chrome handles
- Medallions:
 - CR-MDLN-V3: Optional medallion kit
- Drain pans:
 - RDP-3SSQ: Recessed drain pan, 15"W x 18.125"D, flush mount with splash zone and cup rest locators. Requires square cut for drain pan and hole cut for tower
- Install kit:
 - CBR2-FKM-V3: install fitting kit for connecting two CBR-V3 towers to one remote UCM chiller



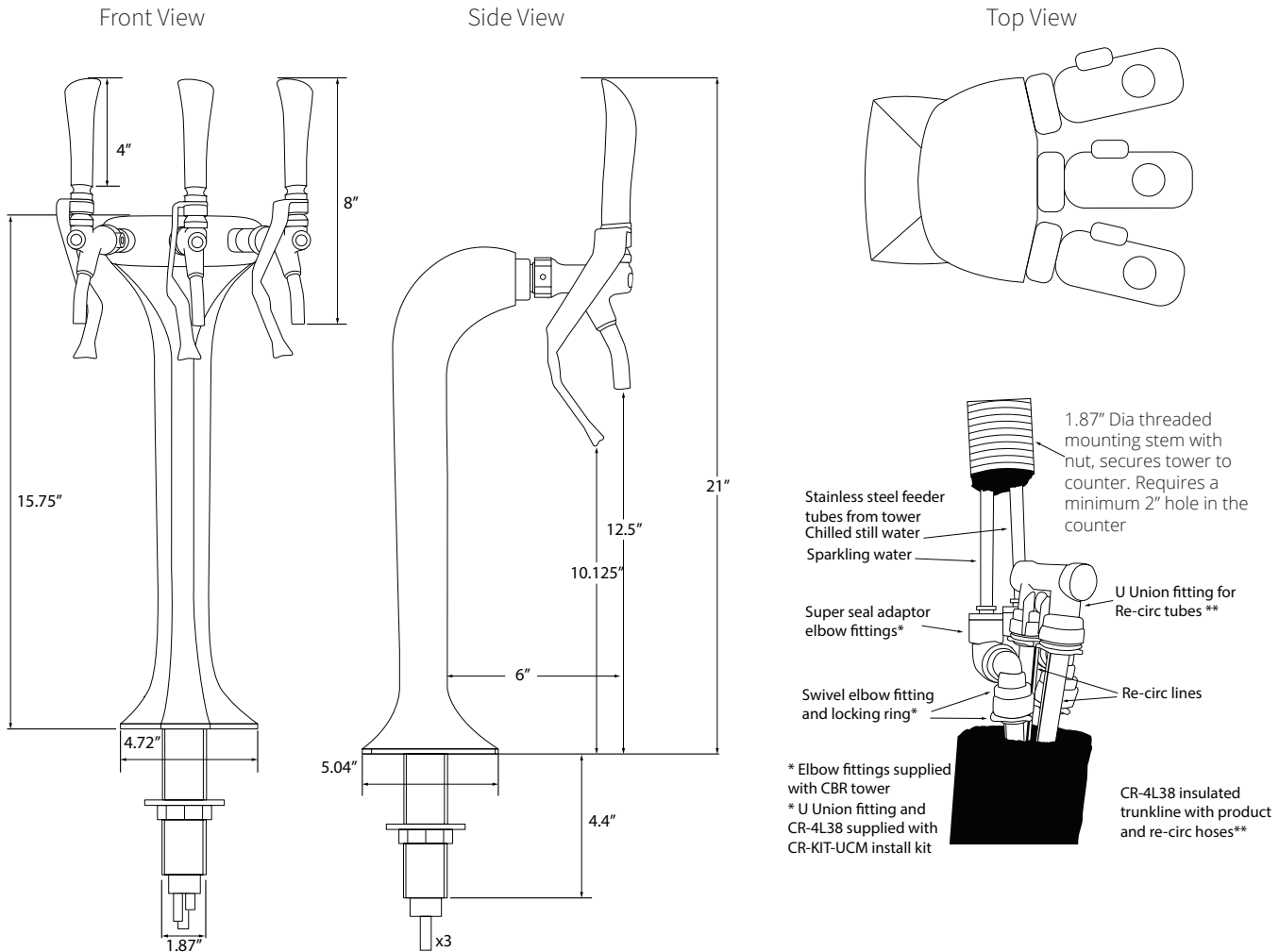
CBR-V2-SDLX

Two-Valve Draft Tower with Sanitary Dispense Levers



Scan for more resources!

Line Drawings

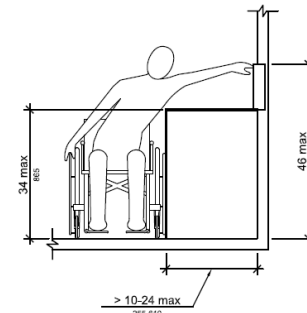
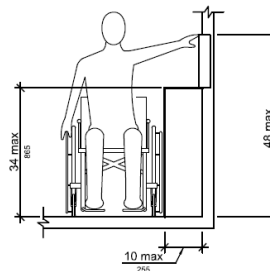


Width	4.72"
Height (including 4" tap handles)	21"
Lever activation height	10.25"
Bottle fill clearance	12.5"
Weight	16 lbs

Sanitary dispense lever (SDLX) is ideal for ADA-friendly self-service applications.

TYPICAL ADA REQUIREMENTS:

TYPICAL ADA REQUIREMENTS:



Issued 6/22/2026