

Project:



Scan for more info!

Owners manual
Quick install
Quick sizing
Install layout
Parts list

CBR-V3-SDLX
Draft tower, 3 valves
Sanitary dispense levers



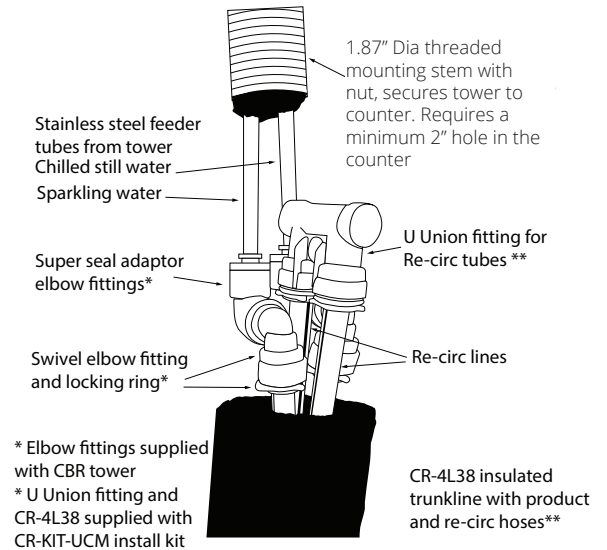
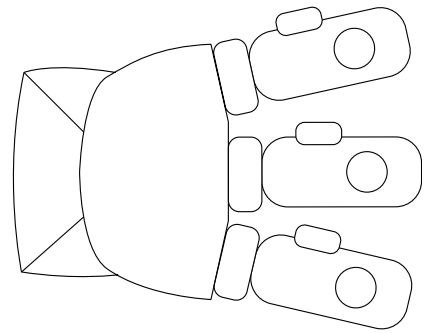
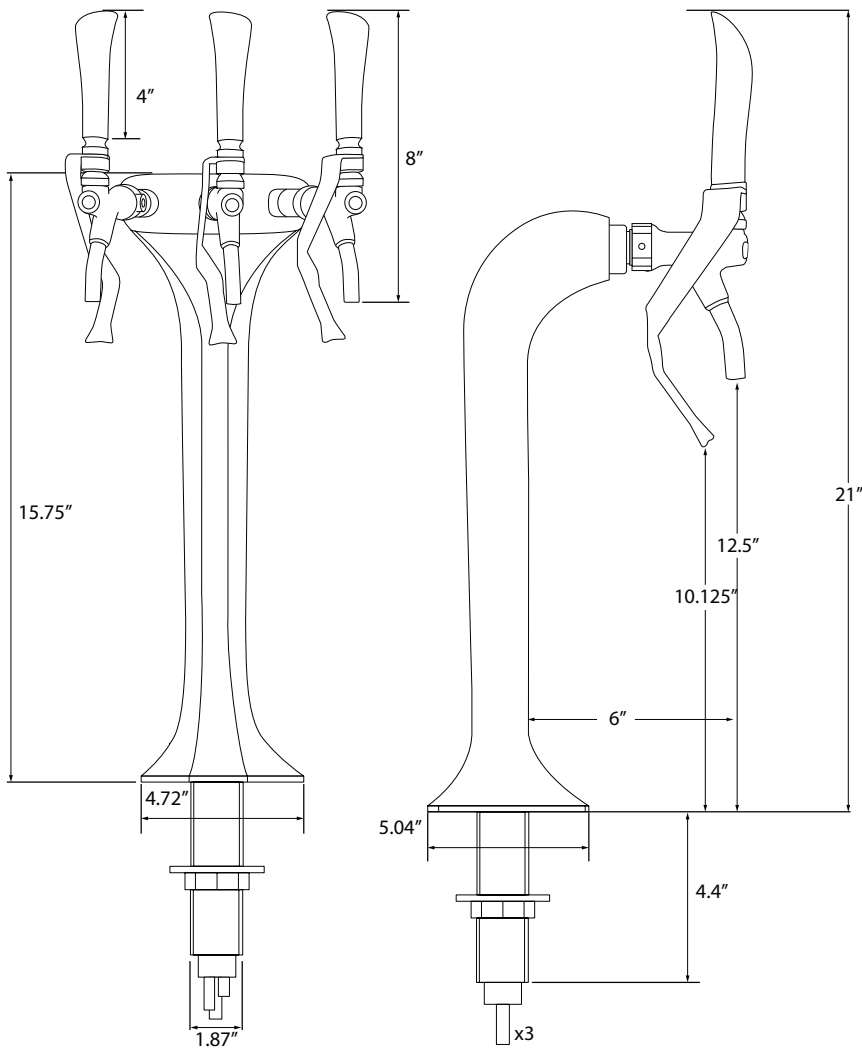
Sparkling, chilled still & still water
Three faucet tower options:

- CBR-V3C-SDLX Chrome finish
- CBR-V3BLC-SDLX Black Chrome finish



Specifications

- Featuring stainless steel SSX faucets with SS levers and all SS tubing
- Flow rate is adjustable up to 2 oz per second and can be locked
- Ideal for self service; Cup push to dispense sanitary levers
- ADA friendly: sanitary lever lowers activation point of the faucet by 6.25"
- Self-closing faucets with downward pointing nozzles
- Bottle filling clearance: 12.5"
- Tower height (including 4" faucet handles): 21"
- Ergonomic grip handles or SS cap knobs
- Supplied with quick connect fittings for easy hook-up to our CR-4L38 trunkline along with ambient temp filtered water tubing and splice fittings
- Comes with base gasket for water tight seal to counter
- For use and pairing with all Crysalli remote chillers
- Weight: 16 lbs



Accessories

- **CR-100301-C**
Optional chrome handles



- **CBR2-FKM-V3**
Install fitting kit for connecting two CBR-V3 towers to one remote UCM chiller



- **RDP-3-SSQ**
Recessed drain pan



- **CR-MDLN-V3**
Optional medallion kit



Overall 15" Wide x 18.125" Deep
 Flush mount on counter with splash zone. Cup rest locators in drain grate. Requires square cut for drain pan and hole cut for tower

